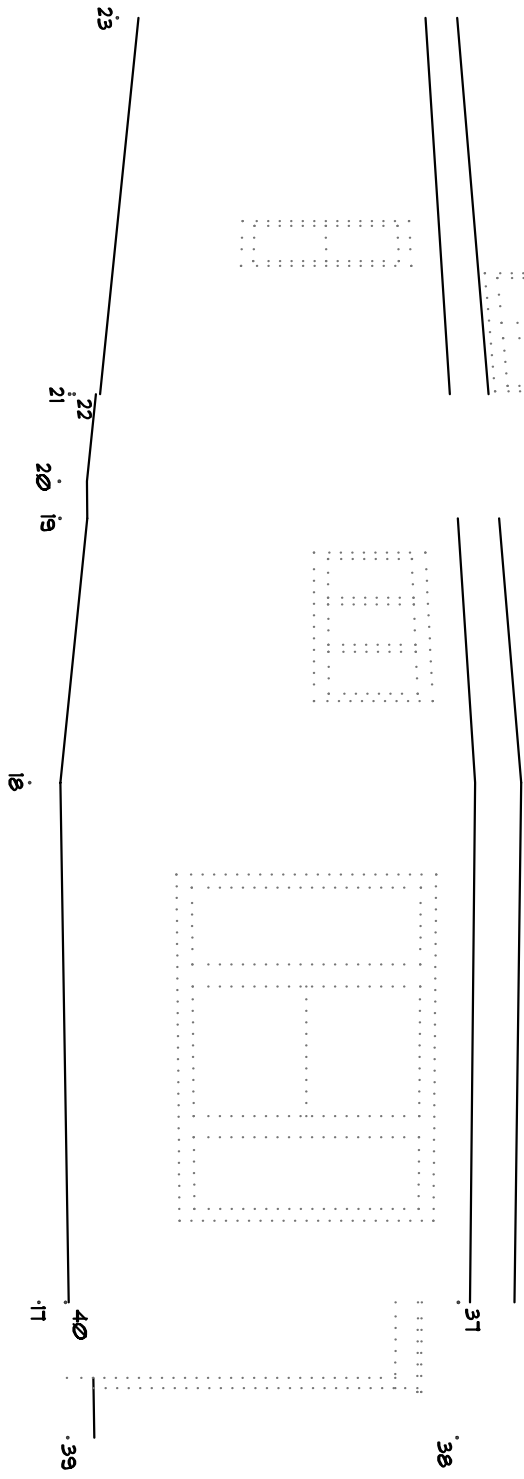
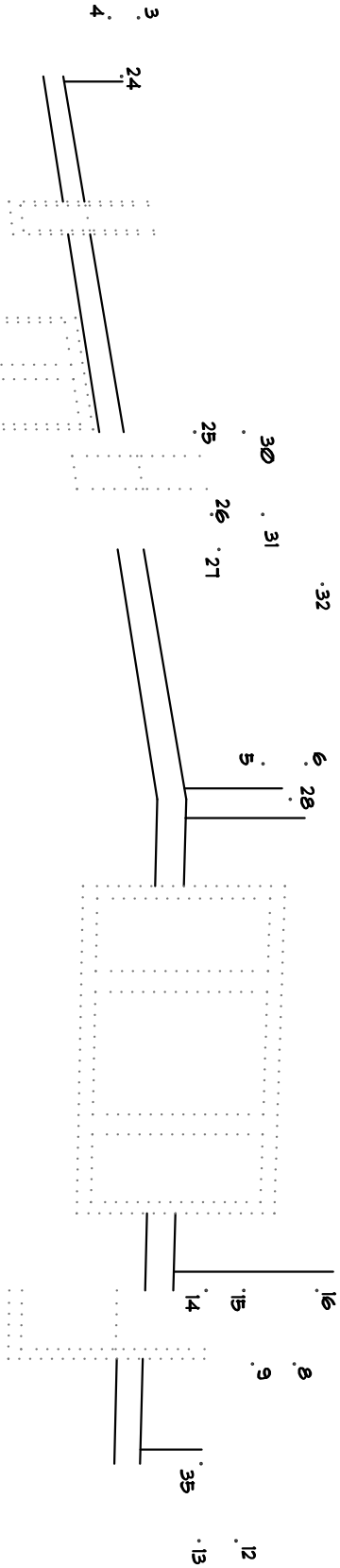


ii

i  
10

Finish drawing  
this house!



Instructions:  
draw your lines in  
the order of the  
numbers below:

- 1-2-3-4-5-6-7-8-9-10-5
- 1-11-7
- 1-12-13-14-15-9-16-17-18-19
- 21-19-20-26
- 20-21-25
- 22-23-24
- 18-28
- 29-30-31-32-33
- 31-34
- 35-36-37
- 38-39-40

Now trace the windows and trim